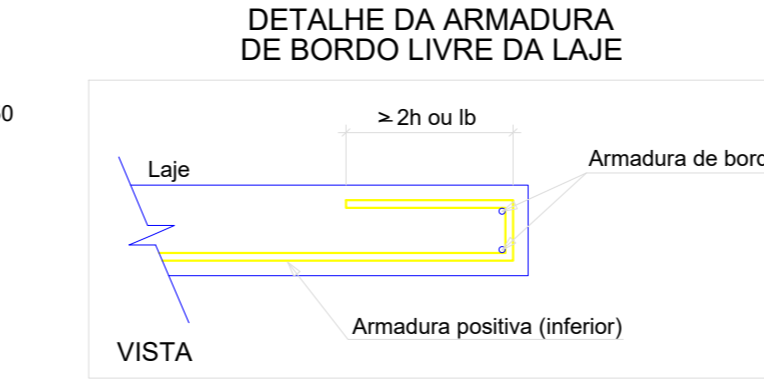
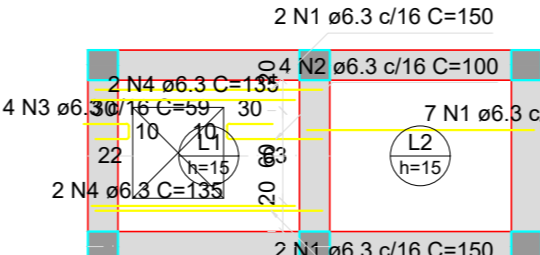
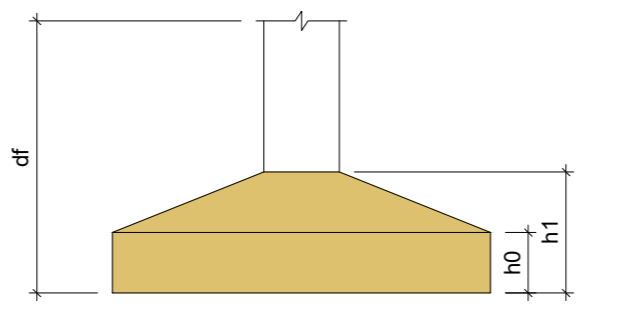


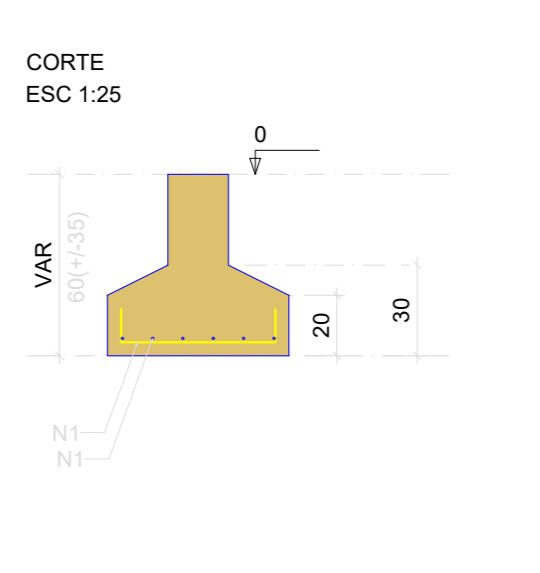
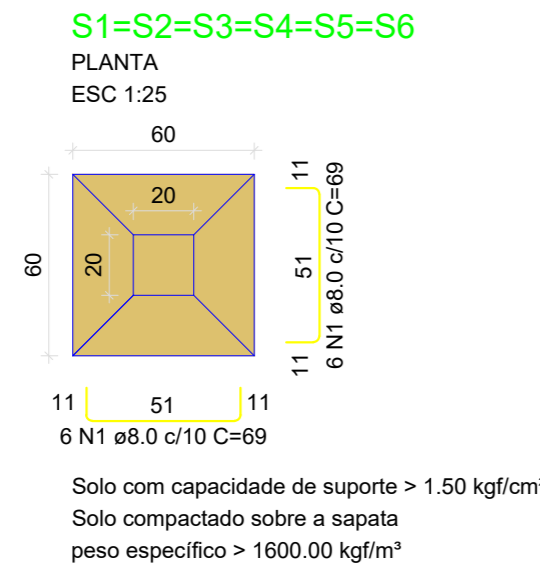
ARMAÇÃO POSITIVA DAS LAJES DO PAVIMENTO SUMIDOURO (EIXO X)

Nome	Seção	X (cm)	Y (cm)	Carga Máx. (t)	Pilar						Fundação		Lado B	Lado H	h1 (cm)	h2 (cm)	d1 (cm)
					Carga Min. (t)	Mx Máximo (t.m)	My Máximo (t.m)	Fx Máximo (t)	Fy Máximo (t)	Fz Máximo (t)	h0 (cm)	h1 (cm)					
P1	20x20	-10,00	110,00	1,2	1,0	0,1	0,0	0,0	0,0	0,0	0,1	0,0	60	60	20	30	60
P2	20x20	130,00	110,00	2,2	1,6	0,1	0,0	0,1	0,0	0,1	0,0	60	60	20	30	60	
P3	20x20	270,00	110,00	1,3	1,0	0,1	0,0	0,1	0,0	0,1	0,0	60	60	20	30	60	
P4	20x20	-10,00	-10,00	1,2	1,0	0,1	0,0	0,0	0,0	0,1	0,0	60	60	20	30	60	
P5	20x20	130,00	-10,00	2,2	1,6	0,1	0,0	0,1	0,0	0,1	0,0	60	60	20	30	60	
P6	20x20	270,00	-10,00	1,3	1,0	0,1	0,0	0,1	0,0	0,1	0,0	60	60	20	30	60	



ACAO	N	DIAM (mm)	QUANT	C.UNIT (cm)	C.TOTAL (cm)	RESUMO DO AÇO
CASO	1	8,0	11	150	1650	1650
CASO	2	8,0	4	150	600	600
CASO	3	8,0	4	150	600	600
CASO	4	8,0	4	150	600	600
CASO	5	8,0	4	150	600	600
CASO	6	8,0	4	150	600	600
CASO	7	8,0	4	150	600	600
CASO	8	8,0	4	150	600	600
CASO	9	8,0	4	150	600	600
CASO	10	8,0	4	150	600	600
CASO	11	8,0	4	150	600	600
CASO	12	8,0	4	150	600	600
CASO	13	8,0	4	150	600	600
CASO	14	8,0	4	150	600	600
CASO	15	8,0	4	150	600	600
CASO	16	8,0	4	150	600	600
CASO	17	8,0	4	150	600	600
CASO	18	8,0	4	150	600	600
CASO	19	8,0	4	150	600	600
CASO	20	8,0	4	150	600	600
CASO	21	8,0	4	150	600	600
CASO	22	8,0	4	150	600	600
CASO	23	8,0	4	150	600	600
CASO	24	8,0	4	150	600	600
CASO	25	8,0	4	150	600	600
CASO	26	8,0	4	150	600	600
CASO	27	8,0	4	150	600	600
CASO	28	8,0	4	150	600	600
CASO	29	8,0	4	150	600	600
CASO	30	8,0	4	150	600	600
CASO	31	8,0	4	150	600	600
CASO	32	8,0	4	150	600	600
CASO	33	8,0	4	150	600	600
CASO	34	8,0	4	150	600	600
CASO	35	8,0	4	150	600	600
CASO	36	8,0	4	150	600	600
CASO	37	8,0	4	150	600	600
CASO	38	8,0	4	150	600	600
CASO	39	8,0	4	150	600	600
CASO	40	8,0	4	150	600	600
CASO	41	8,0	4	150	600	600
CASO	42	8,0	4	150	600	600
CASO	43	8,0	4	150	600	600
CASO	44	8,0	4	150	600	600
CASO	45	8,0	4	150	600	600
CASO	46	8,0	4	150	600	600
CASO	47	8,0	4	150	600	600
CASO	48	8,0	4	150	600	600
CASO	49	8,0	4	150	600	600
CASO	50	8,0	4	150	600	600
CASO	51	8,0	4	150	600	600
CASO	52	8,0	4	150	600	600
CASO	53	8,0	4	150	600	600
CASO	54	8,0	4	150	600	600
CASO	55	8,0	4	150	600	600
CASO	56	8,0	4	150	600	600
CASO	57	8,0	4	150	600	600
CASO	58	8,0	4	150	600	600
CASO	59	8,0	4	150	600	600
CASO	60	8,0	4	150	600	600
CASO	61	8,0	4	150	600	600
CASO	62	8,0	4	150	600	600
CASO	63	8,0	4	150	600	600
CASO	64	8,0	4	150	600	600
CASO	65	8,0	4	150	600	600
CASO	66	8,0	4	150	600	600
CASO	67	8,0	4	150	600	600
CASO	68	8,0	4	150	600	600
CASO	69	8,0	4	150	600	600
CASO	70	8,0	4	150	600	600
CASO	71	8,0	4	150	600	600
CASO	72	8,0	4	150	600	600
CASO	73	8,0	4	150	600	600
CASO	74	8,0	4	150	600	600
CASO	75	8,0	4	150	600	600
CASO	76	8,0	4	150	600	600
CASO	77	8,0	4	150	600	600
CASO	78	8,0	4	150	600	600
CASO	79	8,0	4	150	600	600
CASO	80	8,0	4	150	600	600
CASO	81	8,0	4	150	600	600
CASO	82	8,0	4	150	600	600
CASO	83	8,0	4	150	600	600
CASO	84	8,0	4	150	600	600
CASO	85	8,0	4	150	600	600
CASO	86	8,0	4	150	600	600
CASO	87	8,0	4	150	600	600
CASO	88	8,0	4	150	600	600
CASO	89	8,0	4	150	600	600
CASO	90	8,0	4	150	600	600
CASO	91	8,0	4	150	600	600
CASO	92	8,0	4	150	600	600
CASO	93	8,0	4	150	600	600
CASO	94	8,0	4	150	600	600
CASO	95	8,0	4	150	600	600
CASO	96	8,0	4	150	600	600
CASO	97	8,0	4	150	600	600
CASO	98	8,0	4	150	600	600
CASO	99	8,0	4	150	600	600
CASO	100	8,0	4	150	600	600

ARMAÇÃO POSITIVA DAS LAJES DO PAVIMENTO SUMIDOURO (EIXO Y)



ACAO	N	DIAM (mm)	QUANT	C.UNIT (cm)	C.TOTAL (cm)	RESUMO DO AÇO
CASO	1	8,0	4	150	600	600
CASO	2	8,0	4	150	600	600
CASO	3	8,0	4	150	600	600
CASO	4	8,0	4	150	600	600
CASO	5	8,0	4	150	600	600
CASO	6	8,0	4	150	600	600
CASO	7	8,0	4	150	600	600
CASO	8	8,0	4	150	600	600
CASO	9	8,0	4	150	600	600
CASO	10	8,0	4	150	600	600
CASO	11	8,0	4	150	600	600
CASO	12	8,0	4	150	600	600
CASO	13	8,0	4	150	600	600
CASO	14	8,0	4	150	600	600
CASO	15	8,0	4	150	600	600
CASO	16	8,0	4	150	600	600
CASO	17	8,0	4	150	600	600
CASO	18	8,0	4	150	600	600
CASO	19	8,0	4	150	600	600
CASO	20	8,0	4	150	600	600
CASO	21	8,0	4	150	600	600
CASO	22	8,0	4	150	600	600
CASO	23	8,0	4	150	600	600
CASO	24	8,0	4	150	600	600
CASO	25	8,0	4	150	600	600
CASO	26	8,0	4	150	600	600
CASO	27	8,0	4	150	600	600
CASO	28	8,0	4	150	600	600
CASO	29	8,0	4	150	600	600
CASO	30	8,0	4	150	600	600
CASO	31	8,0	4	150	600	600
CASO	32	8,0	4	150	600	600
CASO	33	8,0	4	150	600	600
CASO	34	8,0	4	150	600	600
CASO	35	8,0	4	150	600	600
CASO	36	8,0	4	150	600	600
CASO	37	8,0	4	150	600	600
CASO	38	8,0	4	150	600	600
CASO	39	8,0	4	150	600	600
CASO	40	8,0	4	150	600	600
CASO	41	8,0	4	150	600	600
CASO	42	8,0	4	150	600	600
CASO	43	8,0	4	150	600	600
CASO	44	8,0	4	150	600	600
CASO	45	8,0	4	150	600	600
CASO	46	8,0	4	150	600	600
CASO	47	8,0	4	150	600	600
CASO	48	8,0	4	150	600	600
CASO	49	8,0	4	150	600	600
CASO	50	8,0	4	150	600	600
CASO	51	8,0	4	150	600	600
CASO	52	8,0	4	150	600	600
CASO	53	8,0	4	150	600	600
CASO	54	8,0	4	150	600	600
CASO	55	8,0	4	150	600	600
CASO	56	8,0	4	150	600	600